



OCSA Series

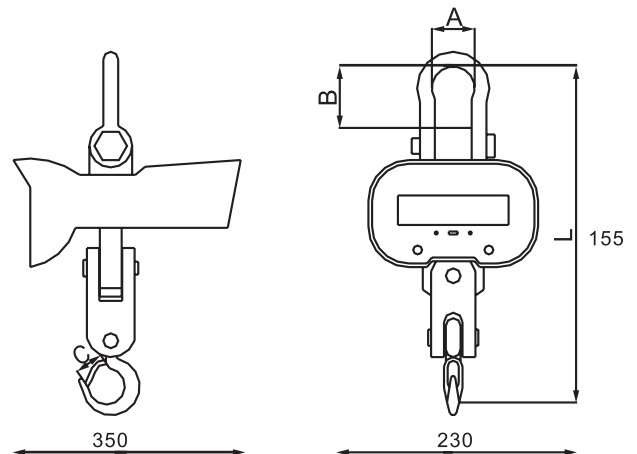
FEATURES

- Fast resolution switching
- 38mm 5 digits LED display for OCSA3
- 30mm 5 digits LCD display for OCSA4
- Fixed hook
- Idle mode to maximize the battery life
- HOLD function
- Tare In / Tare Out
- Unit switch: kg / lb
- Auto overload alarm at 100%F.S. +9e
- Auto power-off function

| Model | OCSA3 | OCSA4 |
|------------------------------------|----------------------|----------------------|
| Type | General | General |
| Accuracy Class | OIML III | OIML III |
| Enclosure | Die-casting Aluminum | Die-casting Aluminum |
| Display | 38mm LED | 30mm LCD w/Backlight |
| Capacity Available | 20 / 30 / 40 Klb | 20 / 30 / 40 Klb |
| Battery Life | 100 Hours | 100 Hours |
| High Quality Load Receptor | Alloy Steel | Alloy Steel |
| Shackle | H.D. Bow | H.D. Bow |
| Hook | H.D. Eye | H.D. Eye |
| High Capacity Rechargeable Battery | Yes 6V/10Ah | Yes 6V/10Ah |
| Infrared Remote Control | Yes | Yes |

OPTION

- Wireless Scoreboard



| Rated Capacity | Division | A | B | C | L | N.W. | G.W. |
|----------------|--------------|---------------|---------------|--------------|----------------|-----------------|-----------------|
| 10t / 20Klb | 5kg / 10 lb | 94mm / 3.70" | 147mm / 5.71" | 60mm / 2.36" | 770mm / 30.31" | 43kg / 94.8 lb | 50kg / 100.2 lb |
| 15t / 30Klb | 5kg / 10 lb | 128mm / 5.04" | 178mm / 7.01" | 75mm / 2.95" | 860mm / 33.86" | 61kg / 134.5 lb | 73kg / 160.9 lb |
| 20t / 40Klb | 10kg / 20 lb | 135mm / 5.31" | 250mm / 9.84" | 75mm / 2.95" | 950mm / 37.40" | 64kg / 141.1 lb | 76kg / 167.6 lb |

*Dimensions and specifications are subject to change without notice.