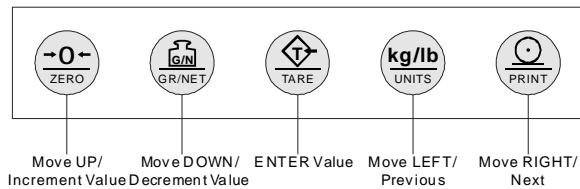




Measurement  
Canada



### Keyboard Configuration



### Features:

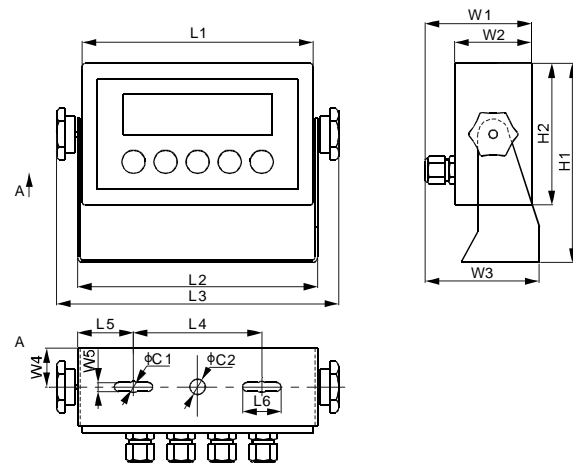
- NTEP III/IIIL, 10 000 approved
- Measurement Canada III, 10 000; III HD 20 000
- Material: Stainless steel SS304
- IP Rating: IP66
- LED 6-digit display
- Power Supply: AC adaptor, 100-240VAC, 50-60Hz
- Parameter and calibration settings are performed on the front panel
- LABRADOR computer software for parameter and calibration settings
- Units of Measurement: kg, lb
- Improper operation and fault indication
- Two way relay signal output
- Equipped with RS-232 and RS-485 connecting ports
- Print functions with programmable print format
- Built-in clock
- Functions: Auto zero scale, Auto zero tracking, PEAK, COUNT, Zero Scale, TARE, GROSS/NET,

General Specifications	
Enclosure Material	Stainless Steel SS304
Units of Measurement	kg, lb
Working Humidity	≤90% RH
Working Temperature	-10°C to 40°C / 14°F to 104°F
Dimensions	226 mm × 71 mm × 161 mm
	8.9in × 3.7in × 6.34in
Display Type	LCD
Display Digits	6 digits
Digit Height	25.4 mm / 1in
Display Dimensions	143 mm × 41 mm / 5.6in × 1.6in
Power Supply	AC adaptor, 100-240VAC, 50-60Hz
IP Rating	IP66

Technical Specifications	
Division	1; 2; 5; 10
Tare range	100% Full Scale
Max. Number of load cells	8 × 350 Ω 16 × 700 Ω
Max. power consumption	6VA
Excitation Voltage	5V DC ± 5%
Fusible-link fuse (slow blow)	1A
Communicate interface	RS-232C, RS-485
Print interface	Serial interface, contact with printer

INDICATORS

PART NUMBER	
Part No.	Shipping Weight (kg) Approx.
805TS.....	2.3



### DIMENSIONS

	C1	C2	H1	H2	L1	L2	L3	L4	L5	L6	W1	W2	W3	W4	W5
inches	0.4	0.5	6.3	4.6	7.3	7.6	8.9	3.9	1.7	1.2	3.5	2.6	3.7	1.2	0.3
mm	9	12	161	116	186	193	226	100	43.5	30	88	65	94	30	7